

# KOBICONN Mini-DIN and DIN Connectors

## KOBICONN MINI-DIN CONNECTORS SHIELDED / UNSHIELDED

### Features:

- Compact miniature design
- Ideal for I/O connector applications
- Versatile right angle PCB mounting
- Available 3-9 contact positions

### Specifications:

- Voltage rating: 100VAC
- Current rating: 1A
- Insulation resistance: 50MQ
- Breakdown voltage: 250VAC
- Contact resistance: 30mΩ

### PCB Unshielded Receptacles

For quantities of 1000 and up, call for quote.

MOUSER STOCK NO.	Fig.	Contact Positions	Price Each			
			1	10	100	500
161-2203	A	3 pin	.99	.83	.76	.69
161-2204	A	4 pin	.99	.83	.76	.69
161-2205	A	5 pin	1.08	.73	.65	.59
161-2206	A	6 pin	1.05	.88	.80	.73
161-2208	A	8 pin	1.15	.96	.87	.79

### PCB Shielded Receptacles

For quantities of 1000 and up, call for quote.

MOUSER STOCK NO.	Fig.	Contact Positions	Price Each			
			1	10	100	500
161-2303	B	3 pin	1.10	.93	.84	.77
161-2304	B	4 pin	1.10	.93	.84	.77
161-2305	B	5 pin	1.04	.90	.70	.55
161-2306	B	6 pin	1.16	.93	.89	.81
161-2308	B	8 pin	1.32	1.13	.93	.85

### Panel Mount Unshielded Receptacles

For quantities of 1000 and up, call for quote.

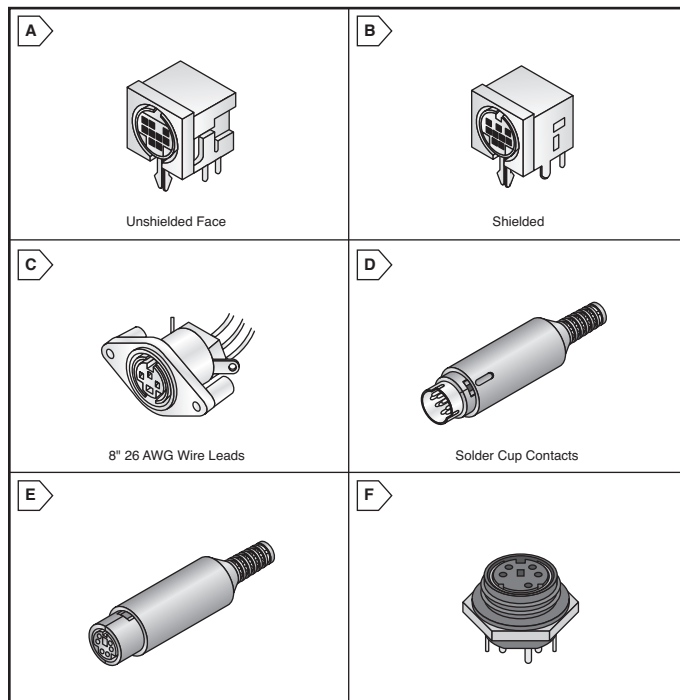
MOUSER STOCK NO.	Fig.	Contact Positions	Price Each			
			1	10	100	500
161-2103	C	3 pin	1.90	1.58	1.44	1.31
161-2104	C	4 pin	1.94	1.62	1.47	1.34
161-2105	C	5 pin	2.07	1.59	1.45	1.32
161-2106	C	6 pin	2.00	1.66	1.51	1.38
161-2108	C	8 pin	2.06	1.71	1.56	1.42

### Plugs

- Solder cup
- 6 piece assembly

For quantities of 1000 and up, call for quote.

MOUSER STOCK NO.	Fig.	Contact Positions	Price Each			
			1	10	100	500
171-2603	D	3 pin	1.01	.87	.69	.62
171-2604	D	4 pin	1.06	.89	.74	.67
171-2605	D	5 pin	1.08	.95	.74	.68
171-2606	D	6 pin	1.12	.98	.80	.73
171-2608	D	8 pin	1.32	1.11	.92	.84
171-2609	D	9 pin	1.57	1.35	1.19	1.08



### Receptacles

For quantities of 1000 and up, call for quote.

MOUSER STOCK NO.	Fig.	Contact Positions	Price Each			
			1	10	100	500
161-2603	E	3 pin	1.08	.95	.74	.67
161-2604	E	4 pin	1.15	.98	.87	.79
161-2605	E	5 pin	1.32	1.02	.80	.73
161-2606	E	6 pin	1.20	1.05	.82	.75
161-2608	E	8 pin	1.29	1.12	.89	.81
161-2609	E	9 pin	1.58	1.38	1.07	.98

### Panel Mount Mini-DIN Receptacles

For quantities of 1000 and up, call for quote.

MOUSER STOCK NO.	Fig.	Contact Positions	Price Each			
			1	10	100	500
161-381/4-E	F	4 pin	2.61	2.01	1.83	1.66
161-381/6-E	F	6 pin	2.97	2.28	2.07	1.88
161-381/8-E	F	8 pin	3.32	2.55	2.32	2.11

## KOBICONN DIN CONNECTORS

### DIN Plugs

For quantities of 1000 and up, call for quote.

MOUSER STOCK NO.	Fig.	Description	Degrees of Arc	Color	Price Each			
					1	10	100	500
171-0275	A	5 pin with strain relief	180°	Black	.69	.46	.42	.38
171-0276	A	6 pin with strain relief	240°	Black	.94	.73	.66	.60
171-0278	A	8 pin with strain relief	270°	Black	.74	.58	.52	.47
171-0288	A	8 pin with strain relief	270°	Gray	.74	.58	.52	.47
17DN100-EX	B	5 pin with strain relief	180°	Gray	1.63	1.25	1.14	1.04
17DN101-EX	B	5 pin with strain relief	180°	Black	1.63	1.25	1.14	1.04
17PP048-EX	B	6 pin with strain relief	240°	Gray	1.73	1.33	1.21	1.10

### DIN Receptacles

For quantities of 1000 and up, call for quote.

MOUSER STOCK NO.	Fig.	Description	Degrees of Arc	Color	Price Each			
					1	10	100	500
161-0003-E	C	3 pin metal body	180°	-	.82	.64	.58	.53
161-0005-E	C	5 pin metal body	180°	-	.82	.64	.58	.53
161-0006-E	C	6 pin metal body	240°	-	1.08	.84	.76	.69
16DN100	C	5 pin metal body	180°	-	1.53	1.18	1.07	.97
16PJ224-E	C	6 pin metal body	240°	-	1.82	1.40	1.27	1.15

### PCB DIN Receptacles

\*: Mates with 3 or 5 pins

For quantities of 1000 and up, call for quote.

MOUSER STOCK NO.	Fig.	Description	Degrees of Arc	Color	Price Each			
					1	10	100	500
*: 161-0504-E	D	5 pin unshielded	180°	-	.96	.80	.62	.56
*: 161-0505-E	E	5 pin shielded	180°	-	1.10	.92	.76	.69
161-0507-E	D	8 pin unshielded	270°	-	1.58	1.21	1.10	1.00
161-0508-E	E	8 pin shielded	270°	-	1.65	1.27	1.15	1.05

